

## Description

- 10x38mm Physical Size
- Various Thru-holes Terminal Available, Contact Prosemi for Detail
- RoHS Compliant

## Electrical Characteristics

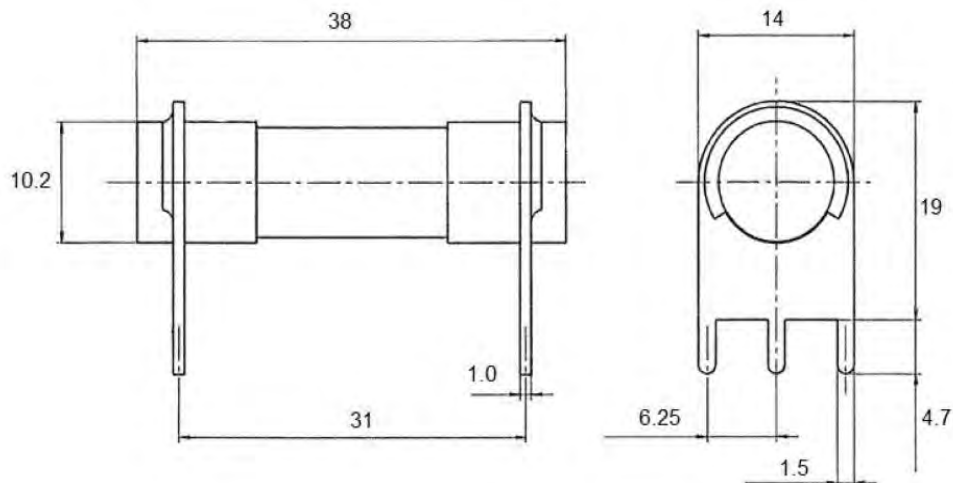
Rated Current	1.0In	2.0In
31.5A – 80A	4 hour min.	120 sec max.

## Specifications

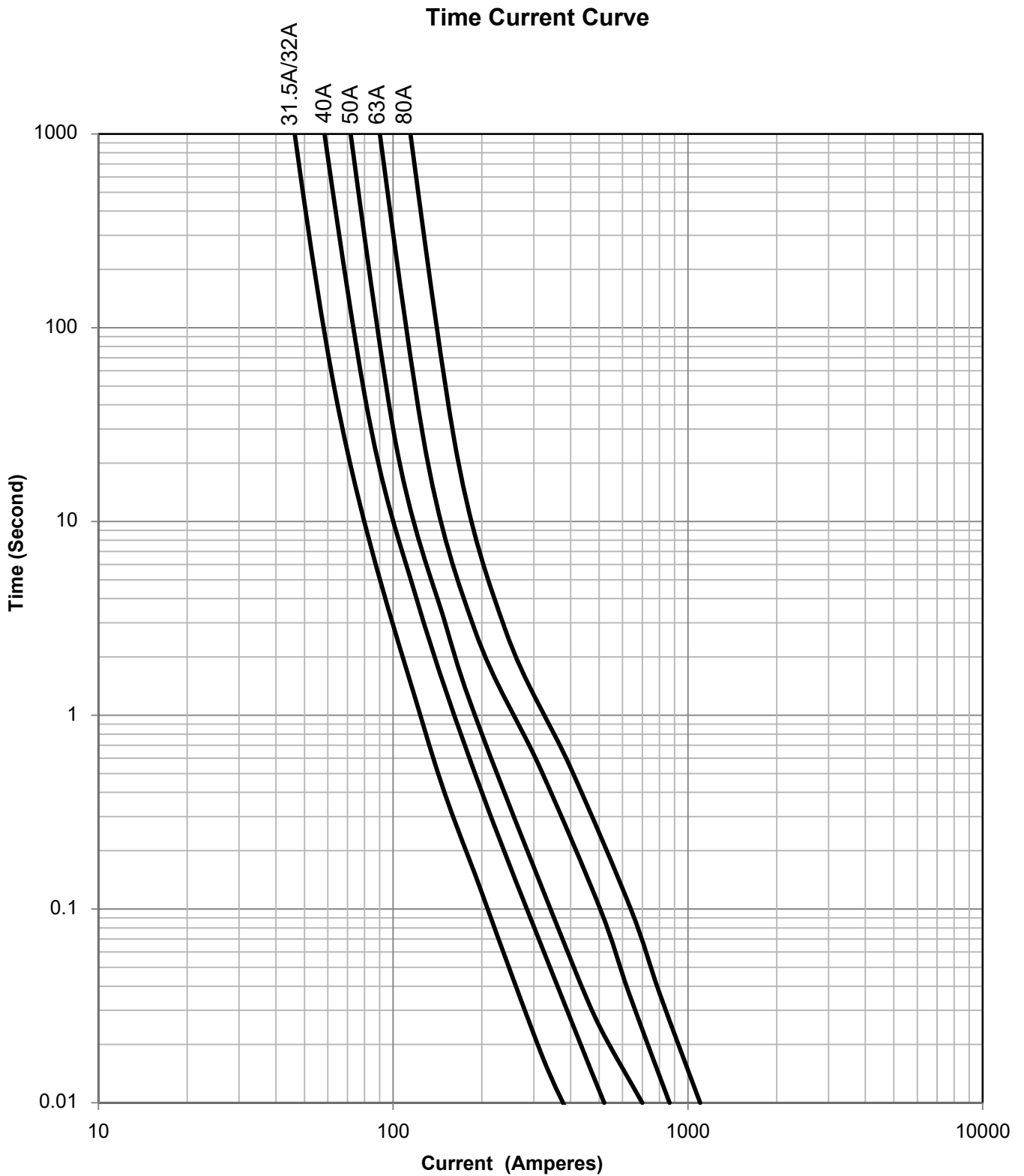
Ordering P/N	Rated Current	Rated Voltage	Breaking Capacity	Typical Resistance	Energy Integrals I <sup>2</sup> t (A <sup>2</sup> s)	Power Loss @ 1.0In (W)
				mOhms	Pre-Arcing	1.0In
10CT120-31.5DP	31.5A	500VAC 125VDC	10KA @ 500VAC 1500A @ 125VDC	3.55	1500	5.2
10CT120-32DP	32A			3.55	1500	5.2
10CT120-40DP	40A			2.45	4600	5.7
10CT120-50DP	50A			2.00	2600	9.0
10CT120-63DP *	63A	250VAC	2500A @ 250VAC	1.50	7500	9.8
10CT120-80DP *	80A	125VDC	1500A @ 125VDC	1.04	24000	10.4

- DC Cold Resistance are Measured at <10% of Rated Current in Ambient Temperature of 25°C
- Typical Pre-arcing I<sup>2</sup>t are Measured at 10In Current

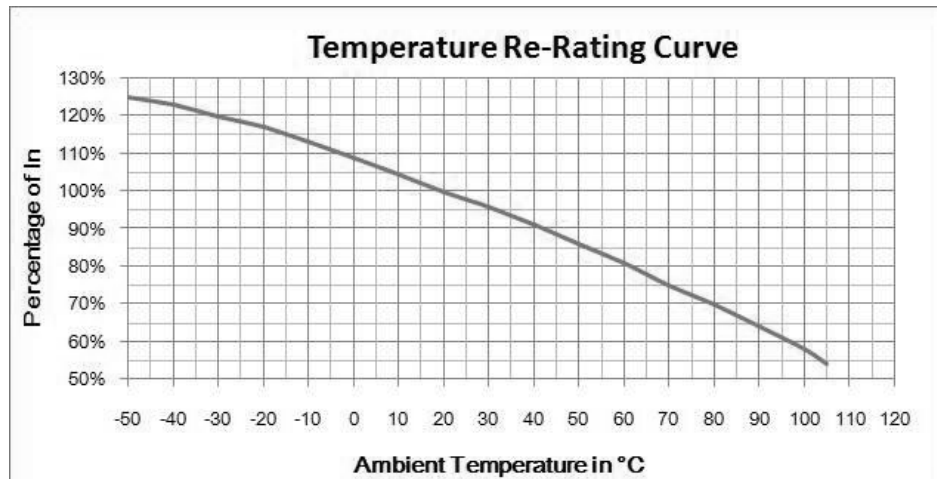
## Dimension (Unit: mm; drawing not in scale) DP terminal



## Time-Current Characteristics



## Temperature Re-rating Curve



## Storage Conditions

Under airtight in temperature +10°C ~ 60°C, relative humidity  $\leq 75\%$  can store 3 years.

Without dew in temperature +10°C ~ 60°C, relative humidity be 95% maximum value for 30 days.

## Recommended Soldering Parameters

Wave Parameters:

Solder Pot Temperature : 270°C Max Solder

Dwell Time : 10s Max

Hand-Solder Parameters:

Solder Iron Temperature : 350±5°C

Heating Time : 5 s Max